



广州艾亮光电科技有限公司

Edlite Company Limited

EEFL 荧光灯

External Electrode Fluorescent Lamp

EEFL 荧光灯使用说明书

External Electrode Fluorescent Lamp Instruction Manual

感谢您使用 EEFL 荧光灯。

Thank you for purchasing EEFL.

使用之前请务必先浏览 EEFL 荧光灯说明书正确使用。

Before attempting to use EEFL, read this instruction manual thoroughly to correctly and safely use it.

请把说明书放在显眼的地方以便于不懂使用方法或发生问题时浏览。

Storing this instruction manual carefully for future reference is highly recommended. In the event that you have using problem or malfunction, this manual will provide useful instructions.

如果不小心丢失说明书请尽快与销售员或购买地点联系。

If you lost this instruction manual, please contact us as soon as possible.

注意 precaution

不按照说明书所记载的注意事项而引起的损坏、损失或者第三者的请求等问题公司不承担责任，在此表示歉意！

For your own safety, be sure to comply with these precautions, or that you do not comply with these precautions cause damage, loss and other requests, we assume no responsibility.

■ 图标意义 Symbol Marks

本说明书所使用的图标有以下意义 **In this instruction manual, “warning” and “caution” are defined as follows:**



警告

表示操作不当而有可能发生死亡或重伤的危险

Warning

Misuse may potentially cause death of, or serious injury to, the user.



注意

表示操作不当而有可能被受害或发生经济损失的危险

Caution

Misuse may potentially cause injury to, or economic loss of, the user.

■ 其他 Else

- 本说明书未提到的使用方法或未提事项请与我公司联系并咨询

Other things we missed, contact our consultation service please.

- 若更改说明书的内容将提前联系

If change the content of instruction manual, we will contact you ahead.

目录 content

- 1. 安镇器的注意事项..... P2
Inverter caution
- 2. 插座的注意事项 P3
Socket caution
- 3. 概观P5
Names of parts
- 4. 安装及连接方法..... P6
Installation & connections guidelines

1. 安镇器的注意事项 Inverter Caution



注意 Caution

- 不要在一台安镇器上装不同直径和长度的灯管
Do not install lamps that have different length or diameter in one inverter.
- 使用多个安镇器组成一个灯箱时不要使用直径不一和长度不一的灯管，以免发生灯管亮度的不均匀
Do not install lamps that have different length or diameter in one light box for avoiding the asymmetric brightness of lamp.
- 输出电线两端的长度应为 1 米以下以免安镇器发热
Output cable should be shorter than 1M lest inverter heat.
- 发生短路现象不要长时间放置
Do not be placed for a long time when short circuit happens.
- 输出高压线请使用 AC 10KV 以上耐压的材料
Please use high-tension cable of AC 10KV or higher grade to be output cable.
- 输出高压线不要绑在一起使用
Do not tie the output cable.
- 输出高压线接地或与其他配件接触时要保证 AC 3KV 以上的绝缘
Output-tension cable grounding or contact with other fittings should ensure above AC 3KV insulation
- 根据安镇器的规格使用灯管
Use lamp according to inverter's specification.
- 安装周围温度为 40 度以上时要采取通风措施
Adopt ventilative measure when environmental temperature is above 40°C.
- 要注意接头的连接
Pay attention to connection of joint.
- 高压线和导电性材料间要采取绝缘措施
Adopt insulating measure between high-tension cable and electric material.

2. 插座的注意事项 Socket Caution



警告

Warning

- 有发热、起火的危险，因此必需确认其接线部位的绝缘情况
Have heating and fire danger, so make sure insulation of connection part.
 - 严格处理好线头，做到接电接触良好
Strictly deal with joints, make sure good contact
 - 接电接触好坏可以用 20N (20Kgf) 拉力进行试验
Contact good or bad can be tested by 20N (20Kgf) pull
 - 电线连接时使用指定的高压绝缘套绝缘
Use special insulating cap to connect wire

- 要注意以下几点防止由于导线内部断线而引起火灾的危险
Pay attention to warnings below for avoiding the fire danger that caused by inner disconnection of lead.
 - 电线不要用纤维等材料固定
Do not fix the wire with such things like fibre.
 - 不要过分用力拧导线或弯曲导线
Do not emphatically wring or bend the lead.
 - 不要过分用力拉导线
Do not emphatically pull the lead.
 - 不要使用旧导线
Do not use old lead.

- 要注意以下几点静电和起火的可能
Pay attention to static and fire possibility below.
 - 请勿使用损坏的部件
Do not use damaged parts.
 - 不要喷洒洗涤剂或杀虫剂
Do not sprinkle wash or insecticide on the socket.
 - 使用时不要过载
Do not be overloading when working.



注意

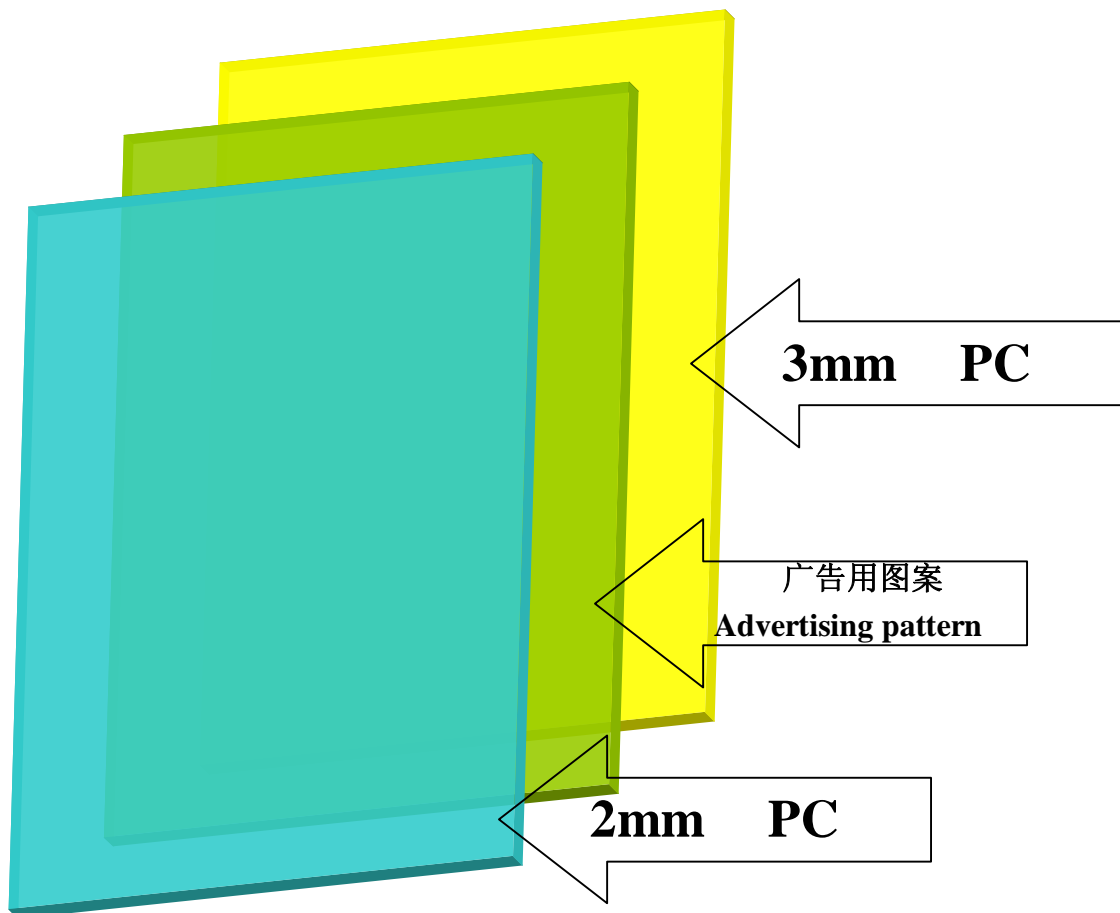
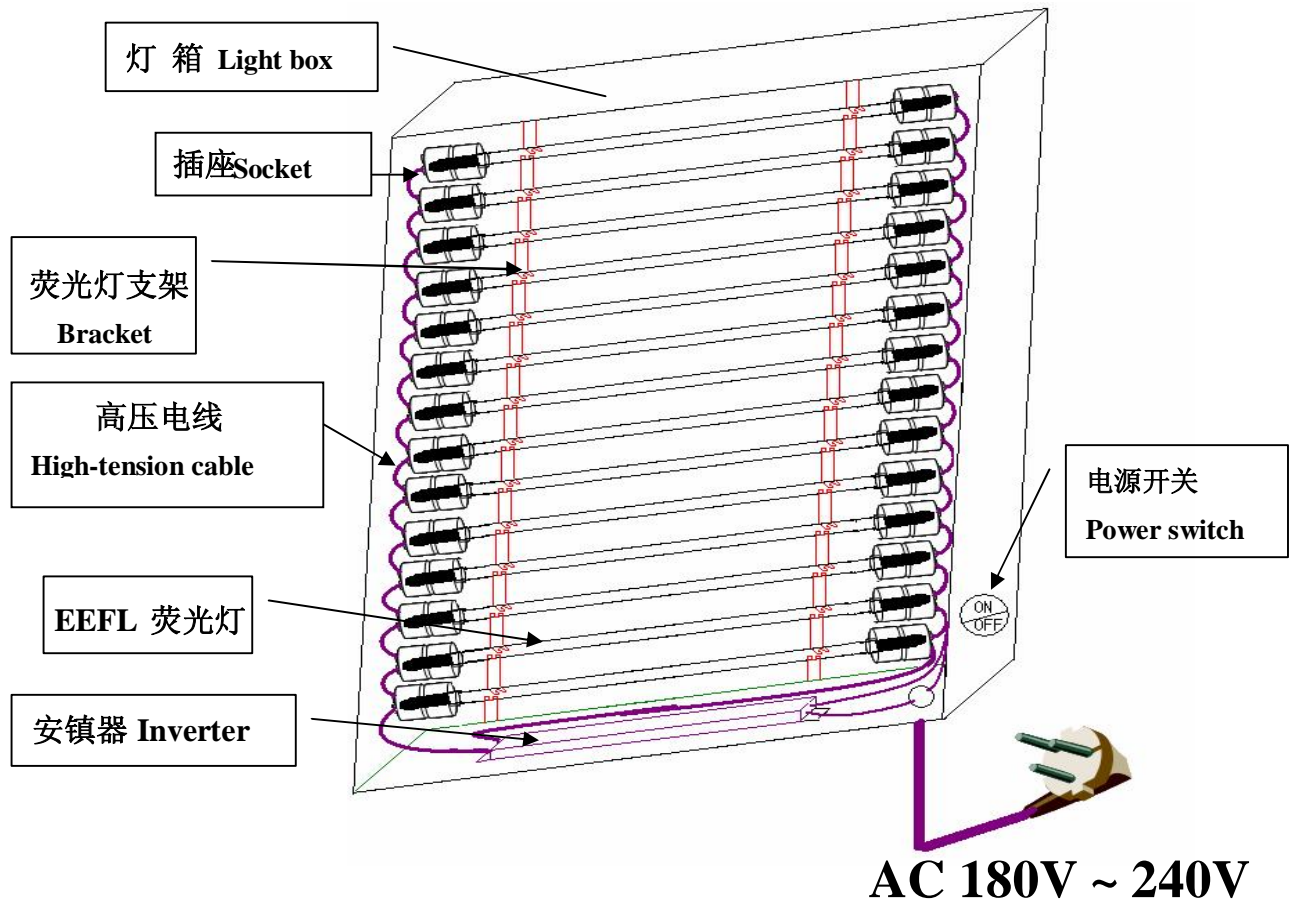
Caution

- 灯管一定要正确操作
Lamp should be operated correctly.
- 灯管接触不当会引起打火现象，因此一定要确认灯管的接触
Incorrect contact will cause danger, so make sure correct contact of lamp
- 使用指定灯管
Use appointed lamp.

- 使用温度
Working temperature
- 确认插座外壳最高温度是否 70 摄氏度以下
Make sure the highest temperature of socket shell is below 70°C.
- 确认插座和结构物间是否绝缘
Make sure insulation between socket and surrounding things.

3. 各部位名称

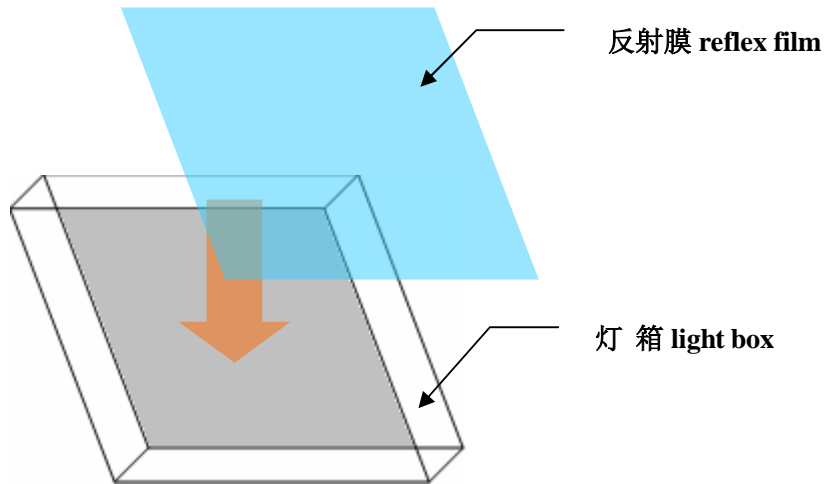
Names of Parts



4. 安装及连接方法 Installation & Connections Guidelines

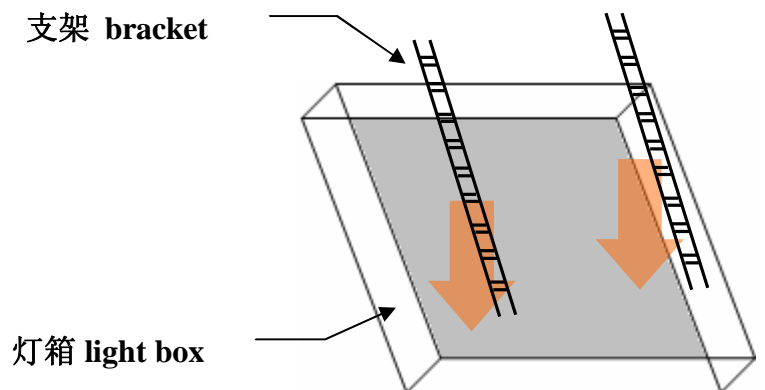
① 安装反射膜(为达到背面的高照明度和绝缘效果建议您使用反射白膜)

Reflex Film Installation (You'd better use white reflex film to achieve the best lighting brightness and Insulating effectiveness)

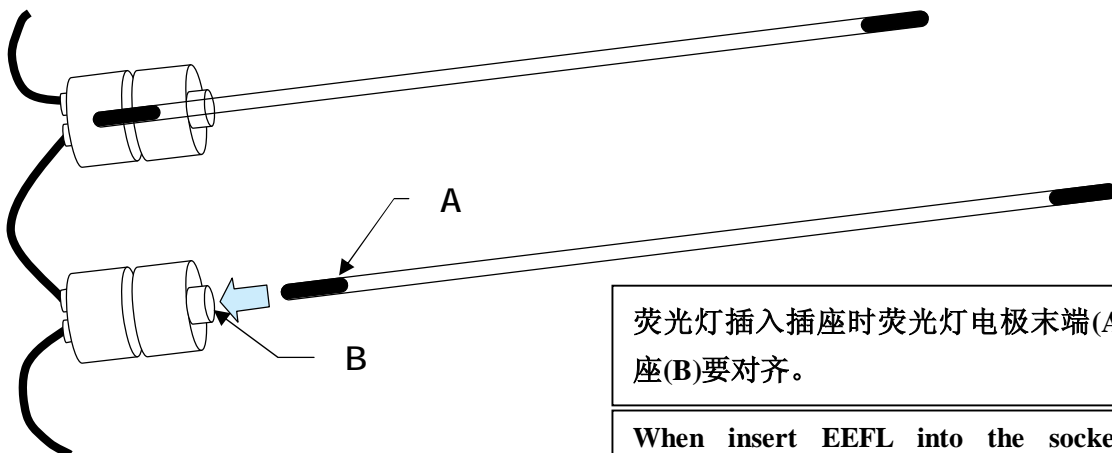


② 安装支架 Setting up Bracket

请用螺钉固定支架或者使用胶进行固定
Please use bolts or glue to fix bracket
 如果用两面胶固定时建议您检查其粘贴强度后再使用
If you use glue to fix bracket, make sure its glutinosity is strong enough



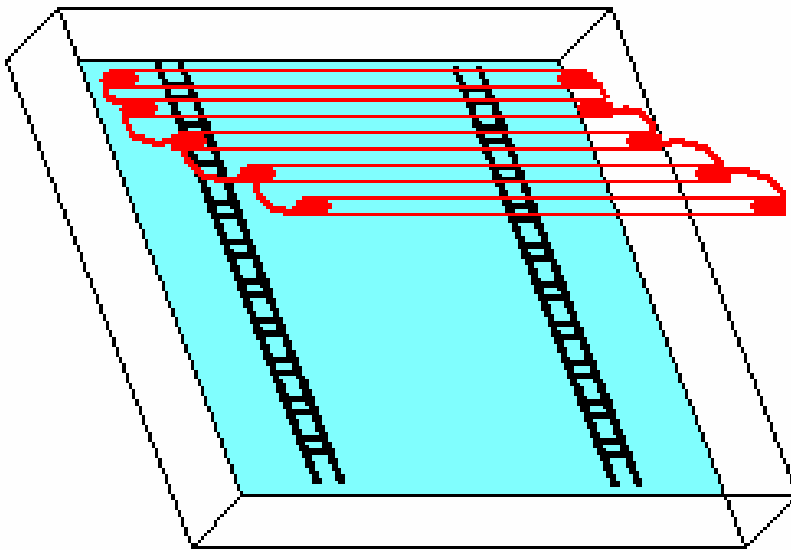
③ EEFL 荧光灯插入法 EEFL Insertion



荧光灯插入插座时荧光灯电极末端(A)和插座(B)要对齐。

When insert EEFL into the socket, the electrode (A) must collimate the socket (B).

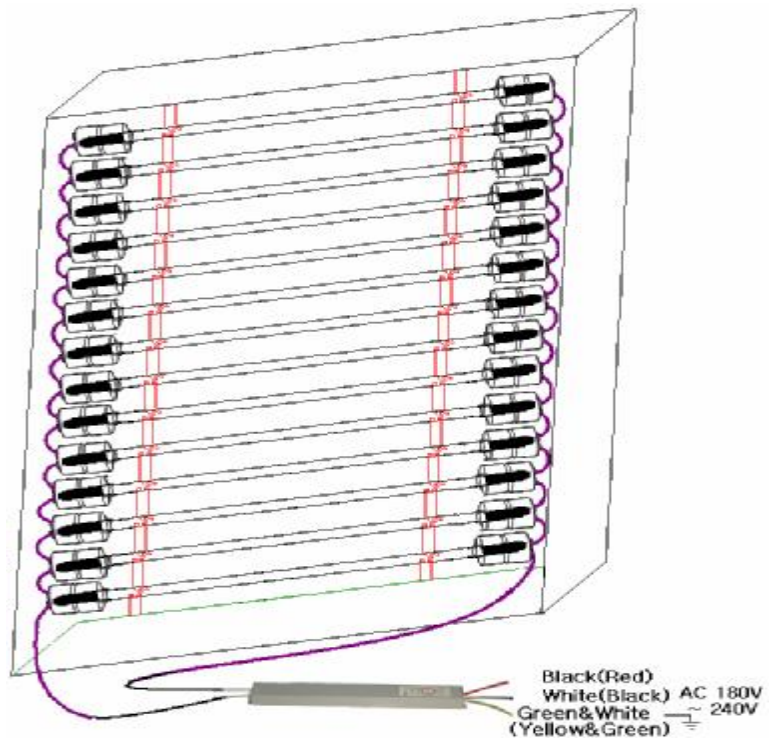
④ 安装荧光灯 EEFL installation



- 用支架固定荧光灯。
Use bracket to fix EEFL

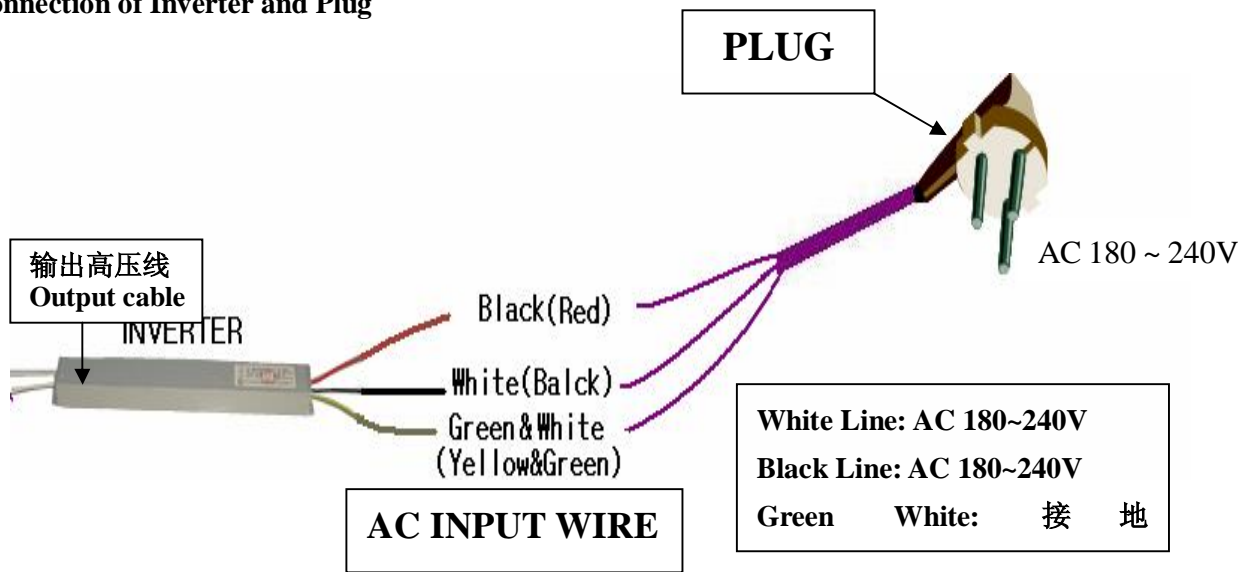
⑤ 安装安镇器 Inverter installation

- 安镇器的输出高压线和插头的高压线用绝缘帽连接或者压线钳压焊
Connection of output high-tension cable use special Insulating cap
- 安镇器固定要结实
Inverter should be fixed solidly

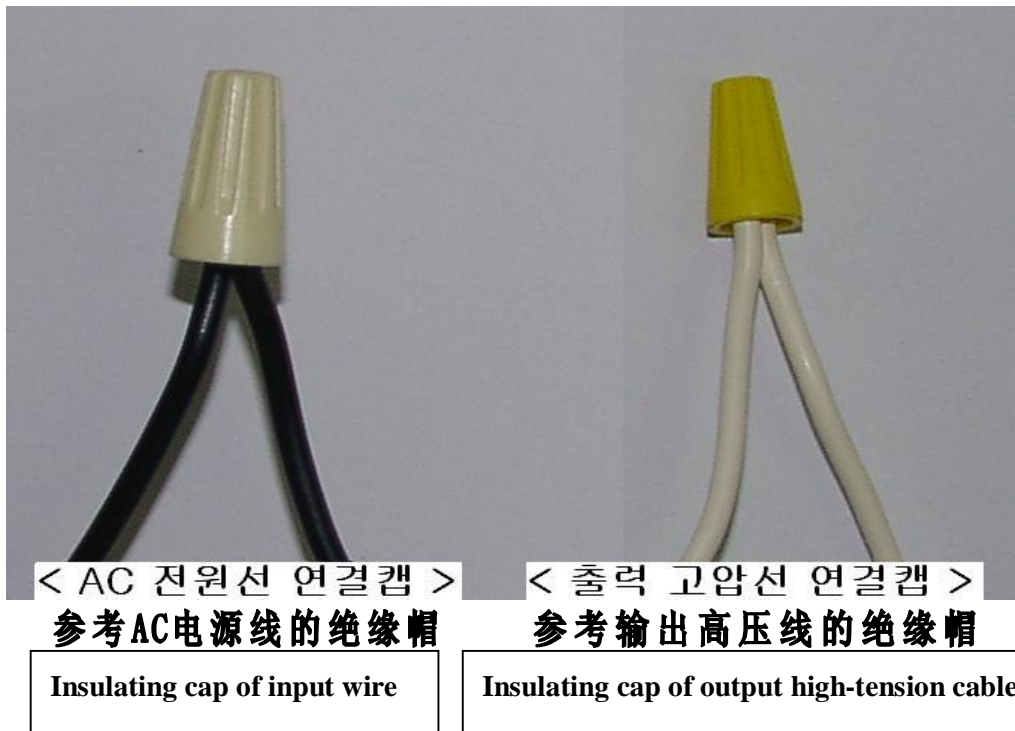


⑥ 安镇器和电源插头的接线

Connection of Inverter and Plug



- 安镇器的 AC 输入线和电源插头的接线使用 AC 专用绝缘帽
 Connection of AC input wire use special AC Insulating cap
- 连接要准确 Connection correctly
- 请注意安镇器的输入电压 Pay attention to input voltage of inverter



5. 导线连接方法 (Wire connection method)



No. 1,2,3,4 :输出高压线的绝缘帽(Insulating cap of output high-tension cable)

No. 5 : AC 电源线的绝缘帽(Insulating cap of input wire)